

SW8

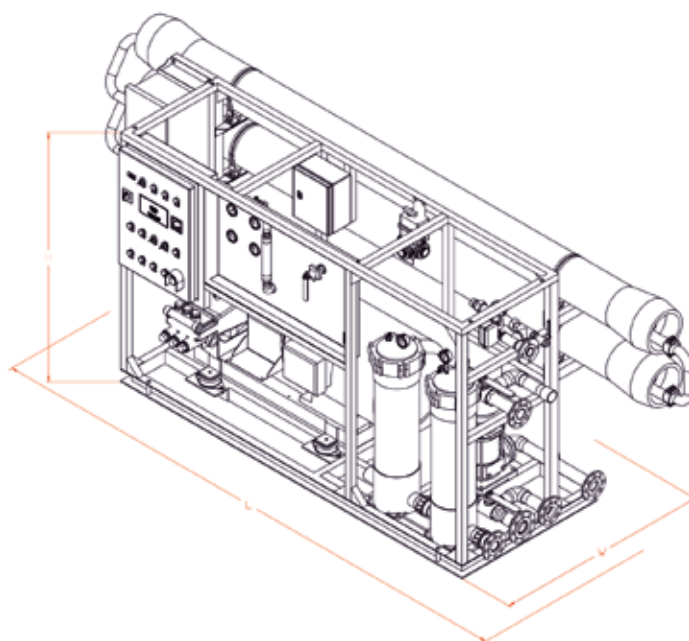
The SW8 series is designed to produce high quantities of fresh water starting from 1.25 m³/hour. Ideal for use in Offshore platforms, Jack-up platforms, passenger ships, military and merchant vessels, SW8 water-makers are made of high-quality components that adapt perfectly to marine applications, ensuring high performance in continuous operation even in particularly difficult

environmental conditions. It is equipped with an energy recovery system that allows a significant reduction in consumption and an increase in efficiency and have an electromechanical control panel that ensures maximum operational reliability in any condition of use. The high-pressure vessels made of reinforced fiberglass are ASME approved.





SW8-100



TECHNICAL DATA

Model	Production per hour (litres / gallons)	Production per day (litres / gallons)	Power supply (Volt) Frequency (Hz) Installed Power (kW)	Max dimensions -W x D x H- (mm)	Weight (kg)
SW8-30	1250 / 330	30000 / 7290	50/60 Hz 3-phase* - 15 kW	1930 x 1150 x 1360	300
SW8-50	2100 / 555	50400 / 13320	50/60 Hz 3-phase* - 18.5 kW	1930 x 1150 x 1360	360
SW8-60	2500 / 660	60000 / 15840	50/60 Hz 3-phase* - 18.5 kW	2050 X 1067 X 1443	930
SW8-75	3000 / 792	72000 / 19008	50/60 Hz 3-phase* - 22 kW	2050 X 1067 X 1443	1010
SW8-100	4000 / 1056	96000 / 25344	50/60 Hz 3-phase* - 30 kW	4000 X 950 X 1380	1070
SW8-150	6000 / 1585	144000 / 39474	50/60 Hz 3-phase* - 37 kW	4930 X 950 X 1380	1460
SW8-250	10000 / 2642	240000 / 63408	50/60 Hz 3-phase* - 55 kW	5950 X 950 X 1380	2000
SW8-∞	PLANNED ON DEMAND - UNLIMITED PRODUCTION				

*other voltages and frequencies available on demand